

Swan Neck Frame, galvanised, mild steel

Joutsenkaula, galvanoitu teräs » Swan Neck, Гусак, оцинкованная сталь » Svanhals, galvaniserat konstruktionsstål » Finto camino, galvanizzato



Swan Neck 6x1 galv



Swan Neck 6x2 galv

Parts needed for a complete solution



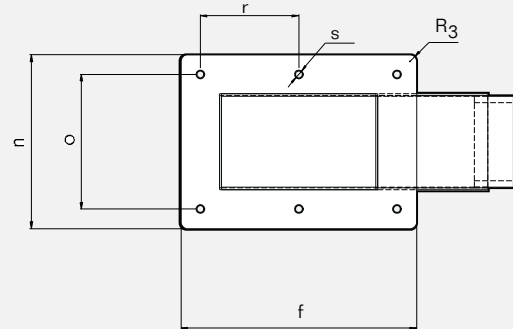
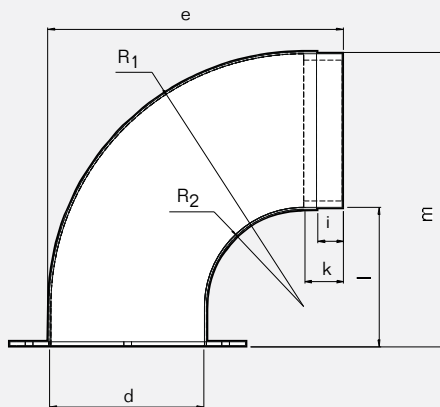
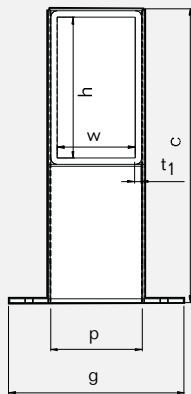
For installation instructions, please see chapter Frame Installation Manual.

FI	Kehys	Aukkojen lukumäärä	Pakkaustila (mm)	Ulkomitat		Paino	
				HxW (mm)	HxW (in)	(kg)	(lb)
RU	Рама	Количество проёмов	Зона уплотнения (мм)	Внешние размеры		Вес	
				HxW (мм)	HxW (дюйм)	(кг)	(фунт)
SE	Ram	Ramöppningar	Packningsutrymme (mm)	Yttermått		Vikt	
				HxW (mm)	HxW (tum)	(kg)	(lb)
IT	Telaio	Aperture telaio	Spazio di riempimento (mm)	Dimensioni esterne		Peso	
				HxW (mm)	HxW (in)	(kg)	(lb)
GB	Frame	Frame openings	Packing space (mm)	External dimensions		Weight	
				HxW (mm)	HxW (in)	(kg)	(lb)
	Swan Neck 6x1 galv	1	180 x 120	see drawing	see drawing	10.0	22.046
	Swan Neck 6x2 galv	2	180 x 120	see drawing	see drawing	18.0	39.683

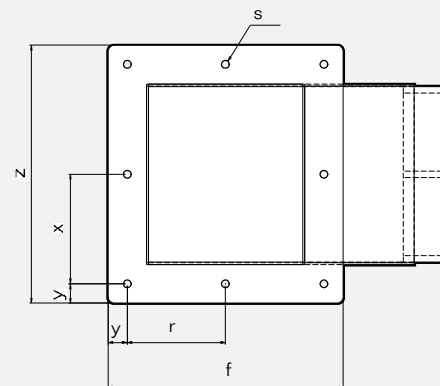
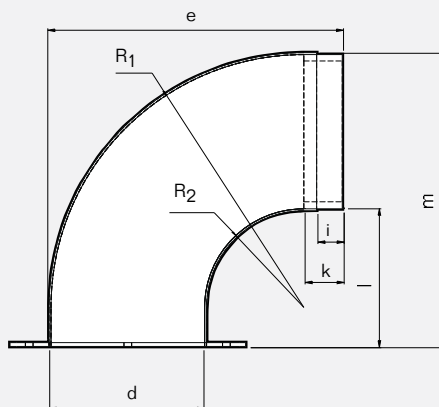
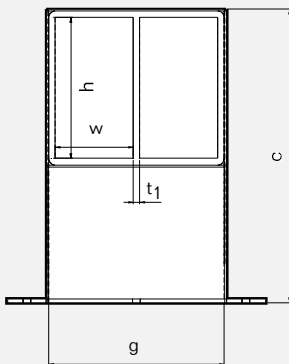
Swan Neck, technical information

Joutsenkaula, kehyksen tekniset tiedot » Swan Neck, Гусак, техническая информация » Svanhals, teknisk information » Swan Neck, informazioni tecniche

Swan Neck 6x1 galv



Swan Neck 6x2 galv



Pos	(mm)	(in)
h	218	8.583
w	120	4.724
t ₁	10	0.394
R ₁	R391	R15.394
R ₂	R153	R6.024
R ₃	R10(4x)	R0.394(4x)
c	454	17.874
d	238	9.370
e	457	17.992
f	364	14.331
g	271	10.669
i	40	1.575

Pos	(mm)	(in)
k	60	2.362
l	215	8.465
m	455	17.913
n	268.5	10.571
o	208.5	8.209
p	141.5	5.571
s	Ø12	Ø0.472
r	152(2x)	5.984(2x)
x	169.5(2x)	6.673(2x)
y	30	1.181
z	399	15.709

Note: All dimensions are nominal values
 Huomaa: Kaikki mitat ovat nimellisarvoja
 Внимание: Все размеры номинальные
 Obs: Alla mått är nominella
 Nota: tutte le dimensioni sono valori nominali